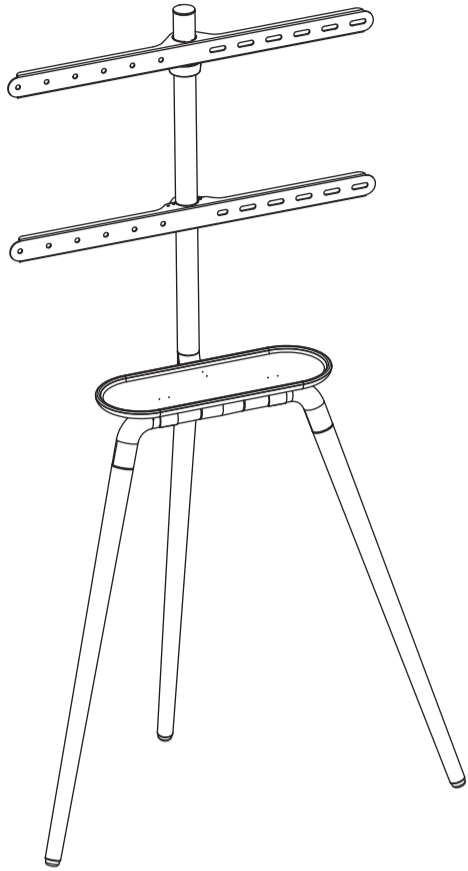


# XTRARM

## XTRARM tripod Ayta wood / black with felt tray



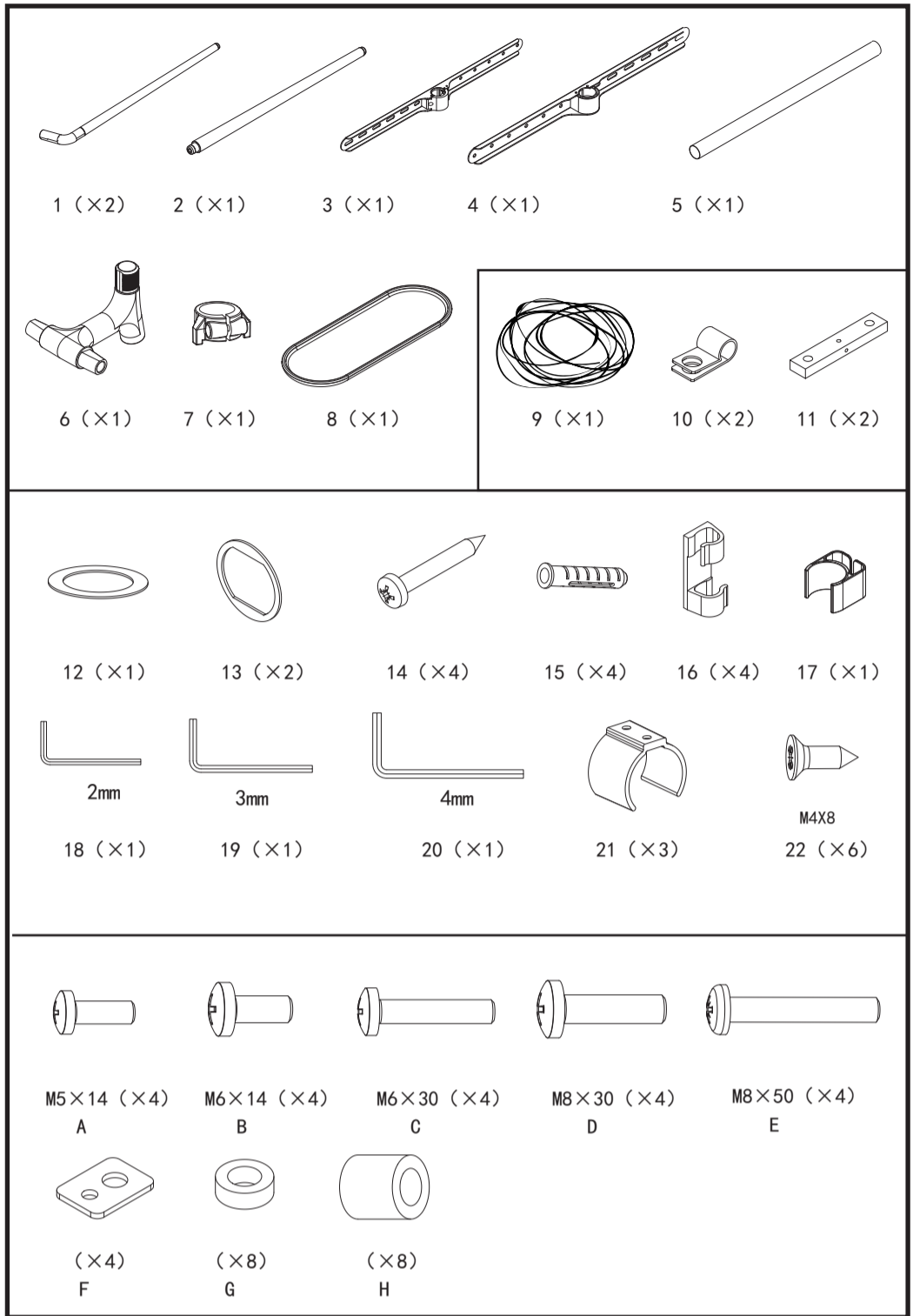
**XTR-FS2110**

**VESA**  
200 × 200 / 300 × 200  
300 × 300 / 400 × 200  
400 × 300 / 400 × 400  
600 × 400

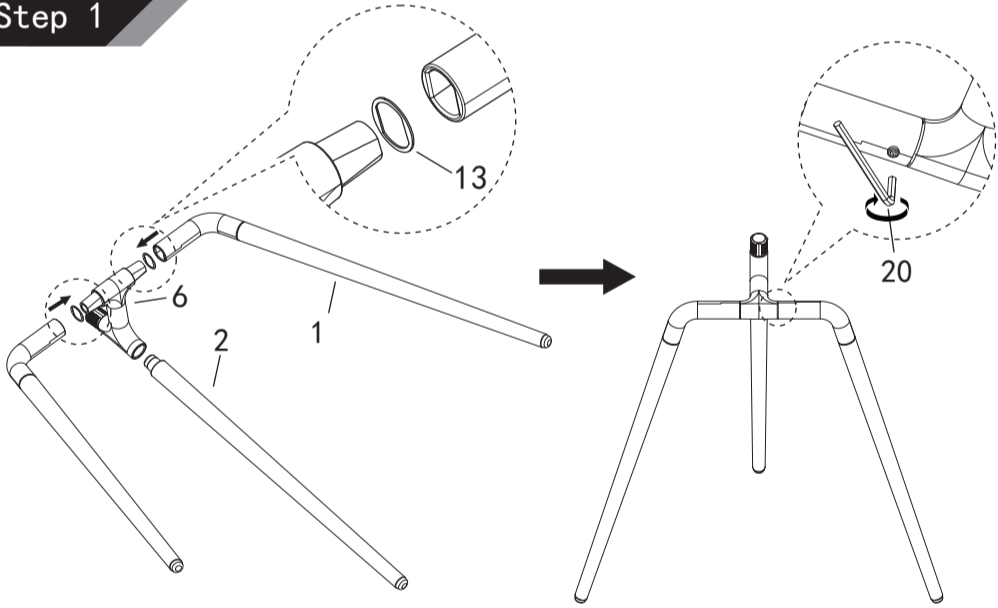
**32" — 65"**  
TV Size

**Load**  
≤ 40KG

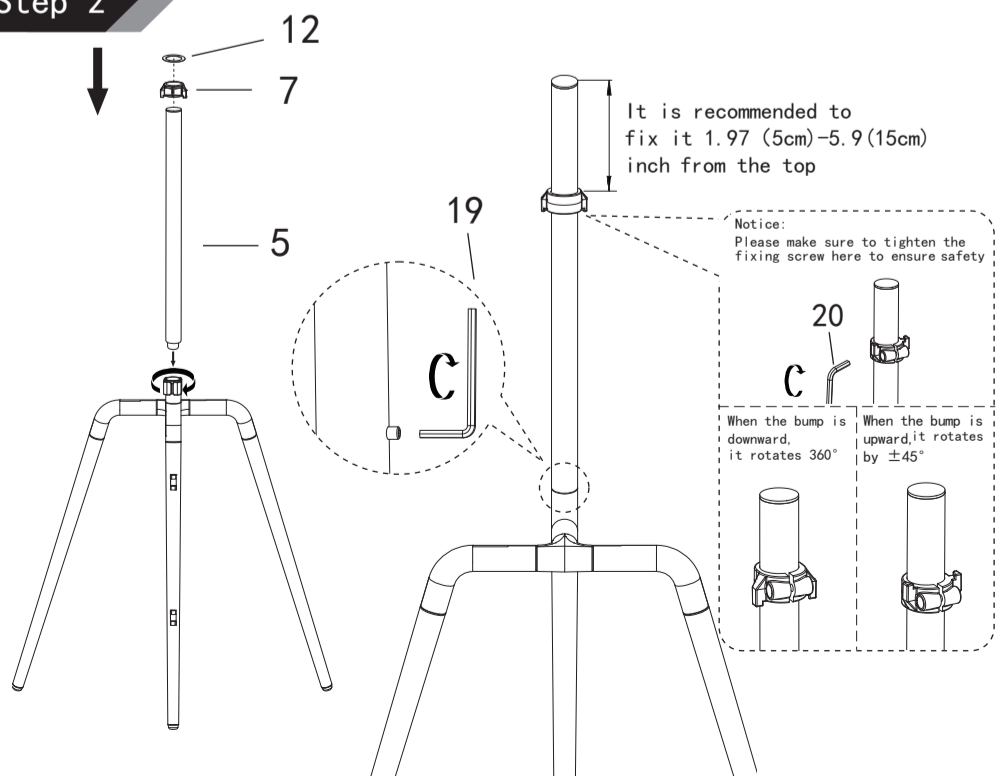
Read the entire instruction manual before you start installation and assembly. If you have any questions regarding any of the instructions or warnings, Please contact your local distributor for assistance.



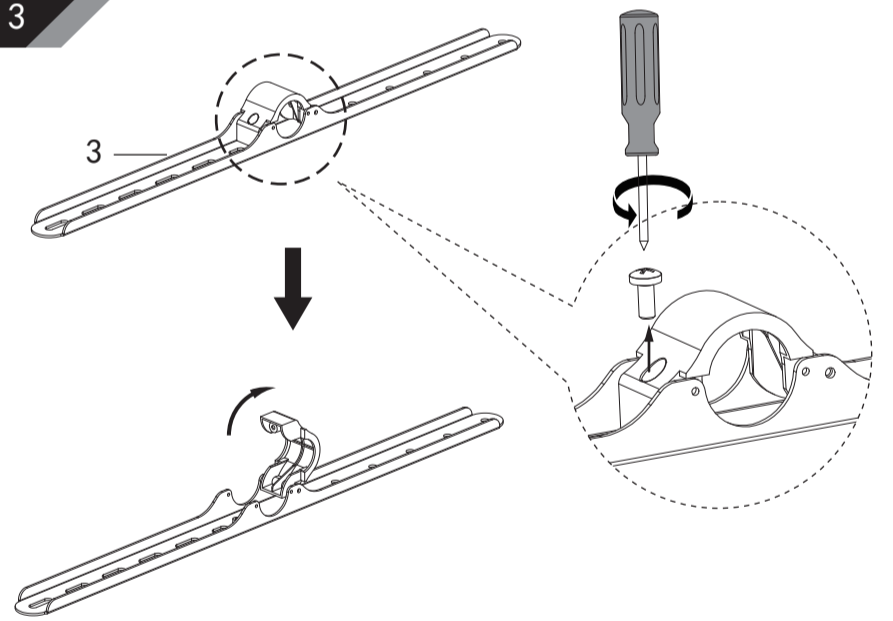
### Step 1



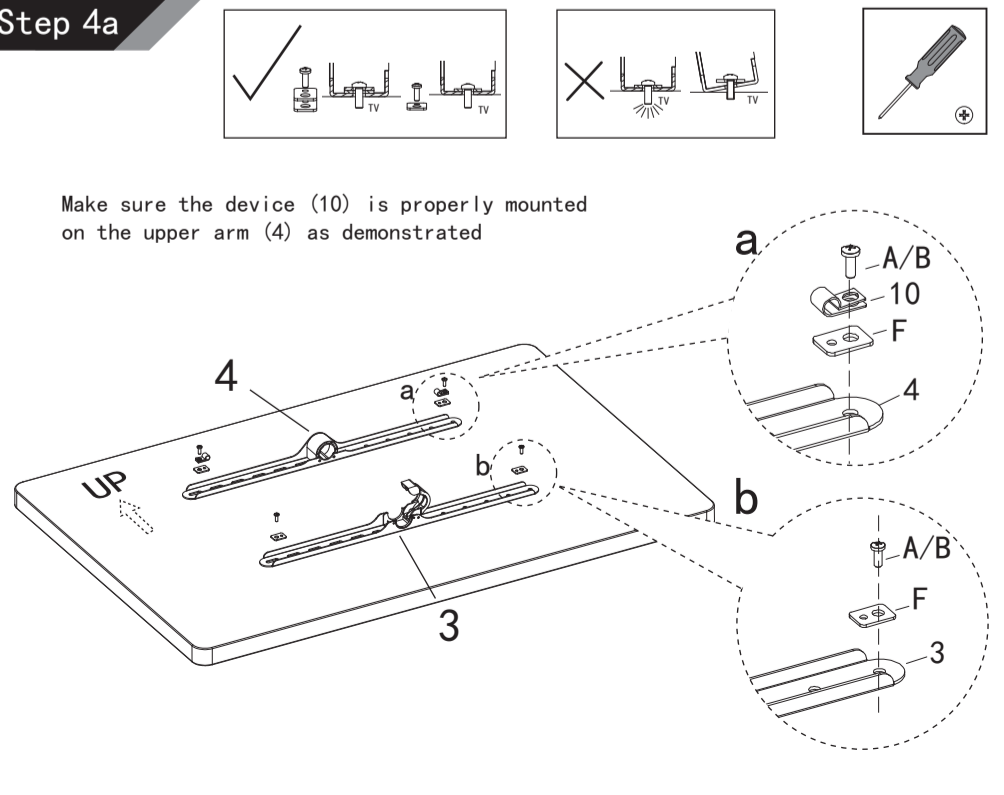
### Step 2



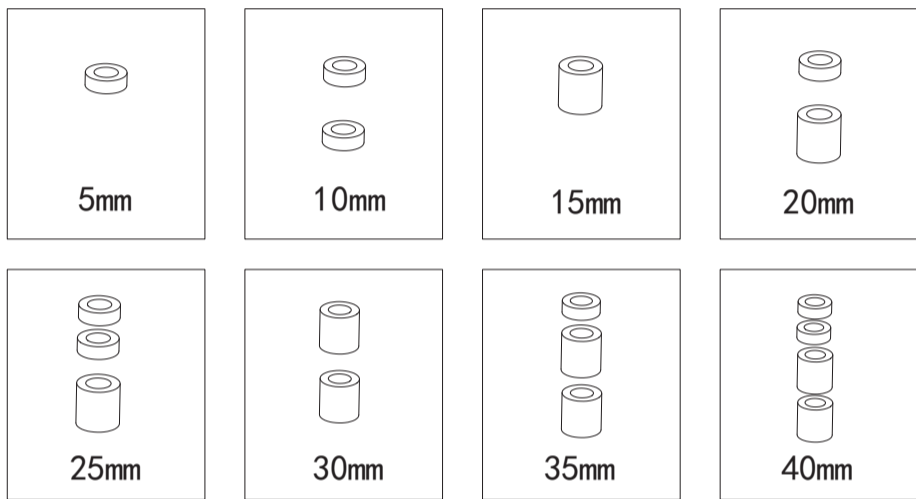
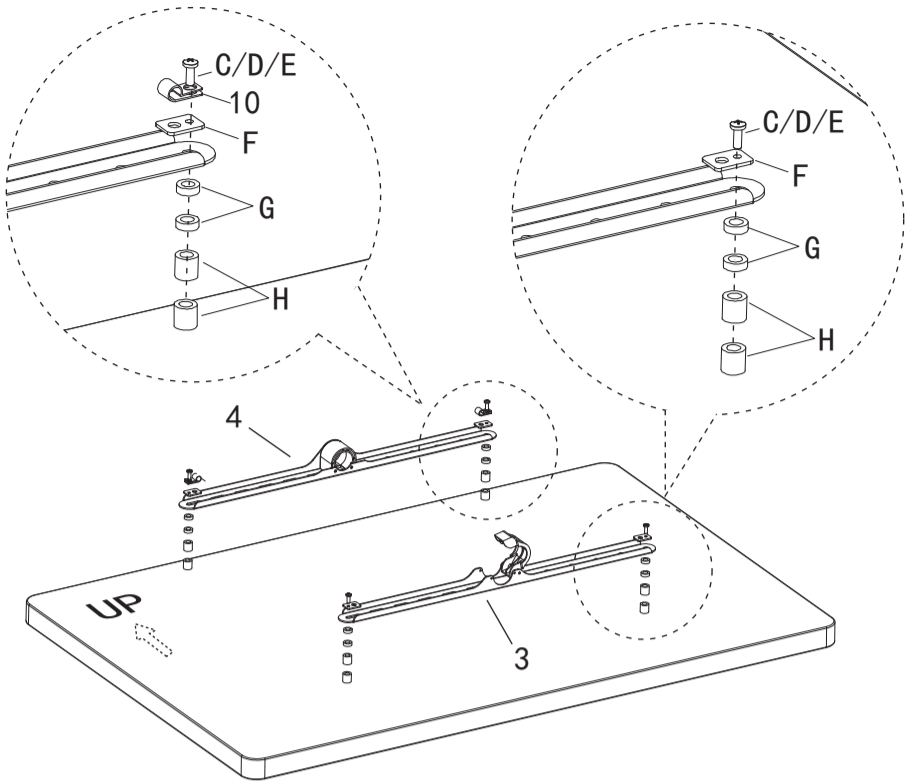
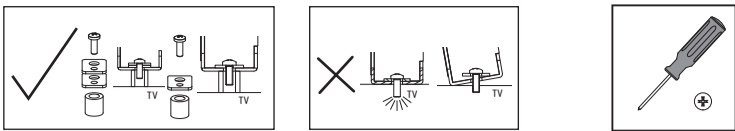
### Step 3



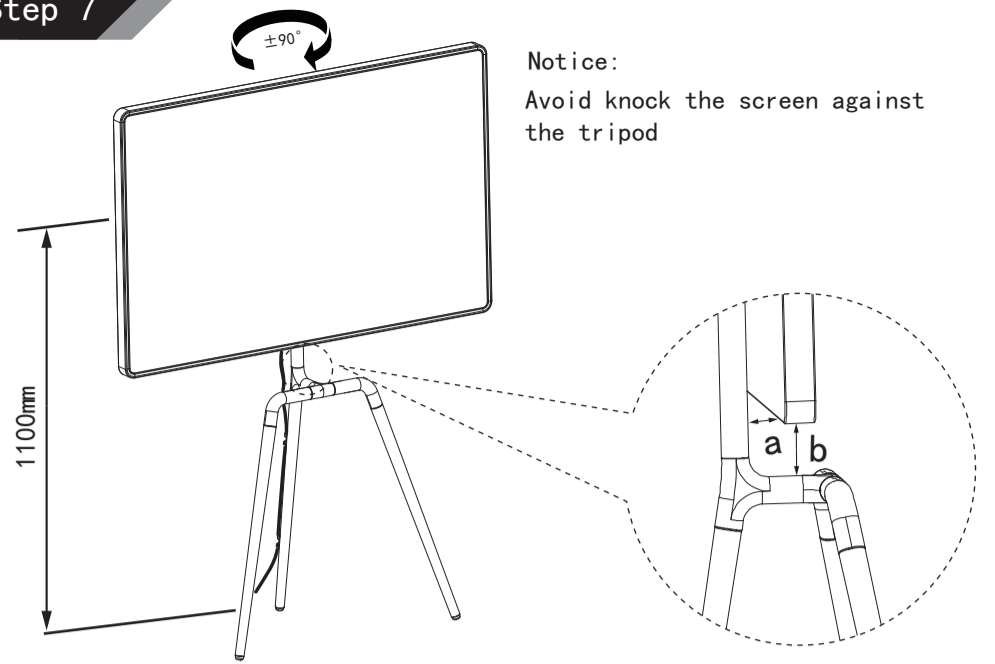
### Step 4a



Step 4b

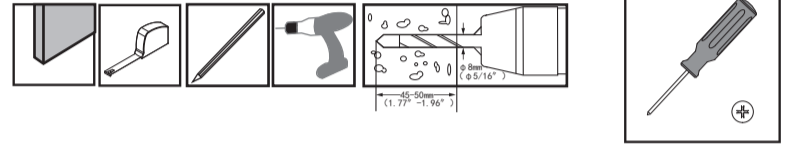


Step 7

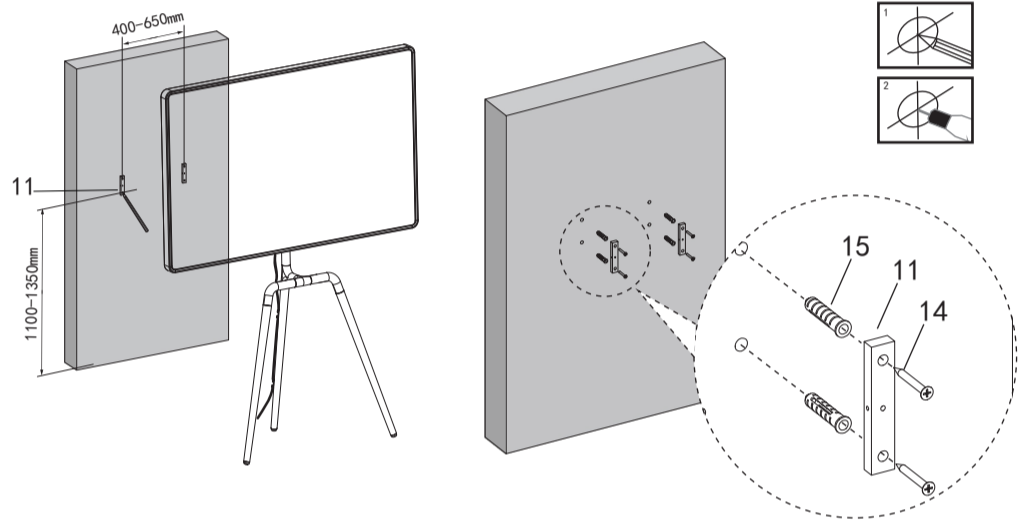


Notice:  
Avoid knock the screen against the tripod

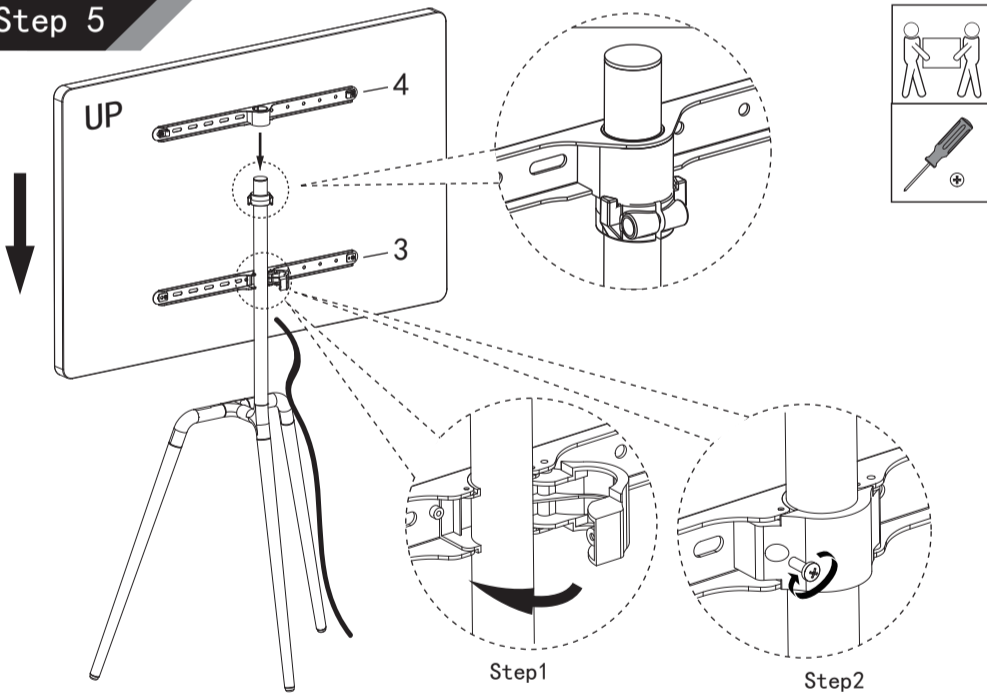
Step 8a



Attach the TV to the fixing device (11) with cable (9) for avoiding topple over.

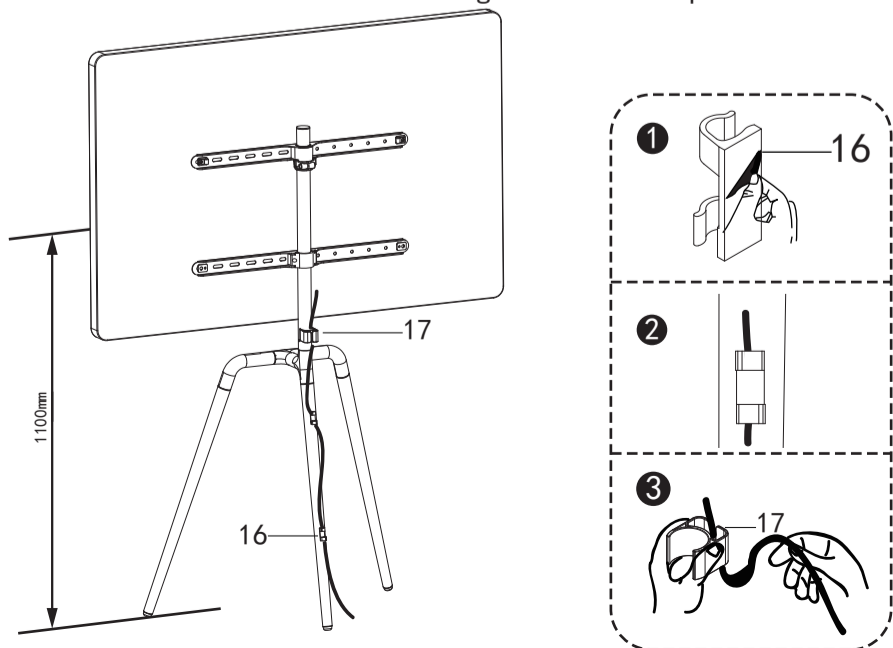


Step 5

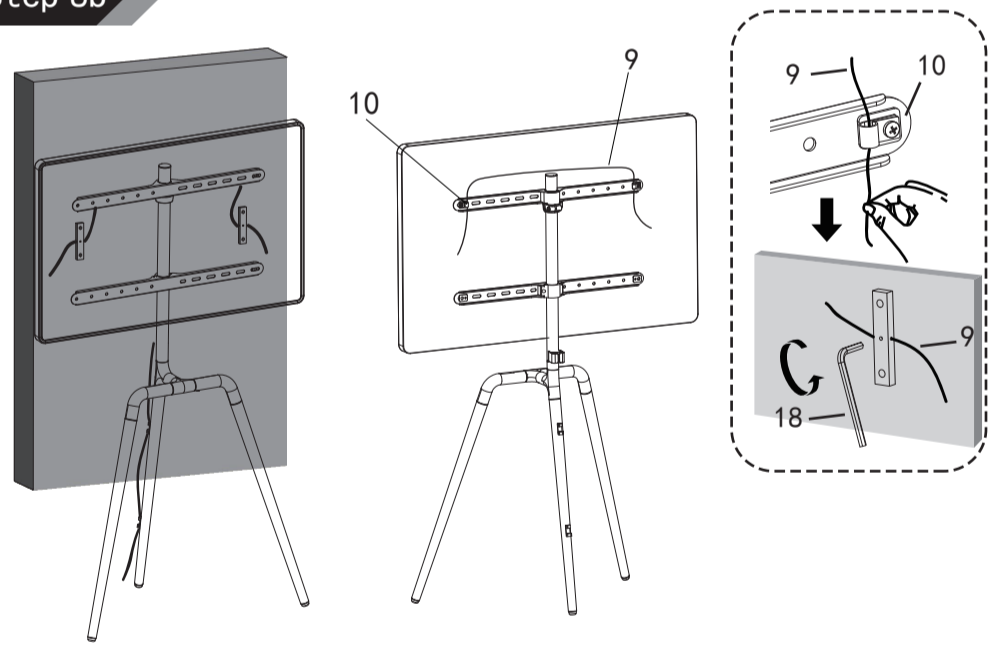


Step 6

Note: Do not knock the screen against the tripod.



Step 8b



Step 9

